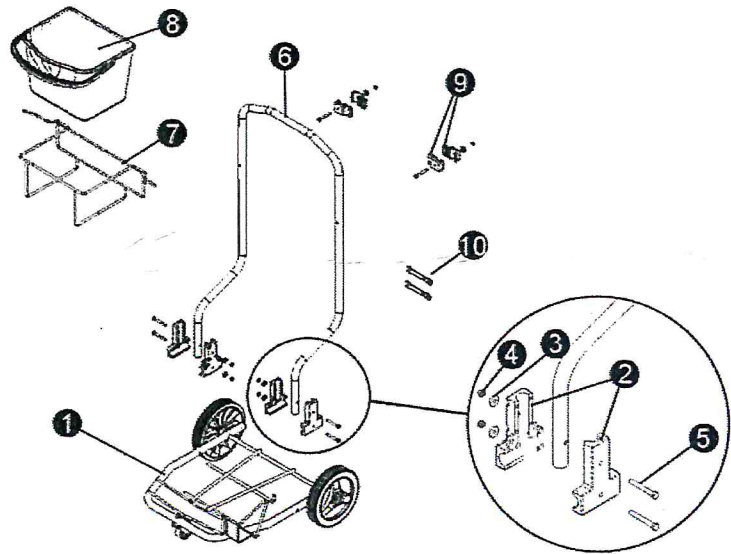


# ASSEMBLY INSTRUCTIONS

1. Lower part
2. Lower clamp (2x)
3. Washer (6x)
4. Nut (6x)
5. Screws (6x)
6. Handle
7. Support
8. Accessories basket
9. Upper clamp (2x)



Make sure that all items shown in the exploded view, are present.

## ASSEMBLY

1. Using the spanners with the machines, unscrew the 2 nuts present in the upper part of the clamps (2), in order to allow the removal of a screw (5) and the washers (3).
2. Insert the end of the handle (6) in the space created, and then tighten the bolts (4) using the spanner, placing the washers (3) under the nuts.
3. Insert the support (7) in holes present on the upper terminals (9), and tighten the bolts, using the spanner.
4. Insert the basket (8) in the proper space.
5. Place the machine on the trolley, in such a way that the relief presents on the base of the trolley, go to fall within the slots on the machine (see left image).

